

# DNC-4G

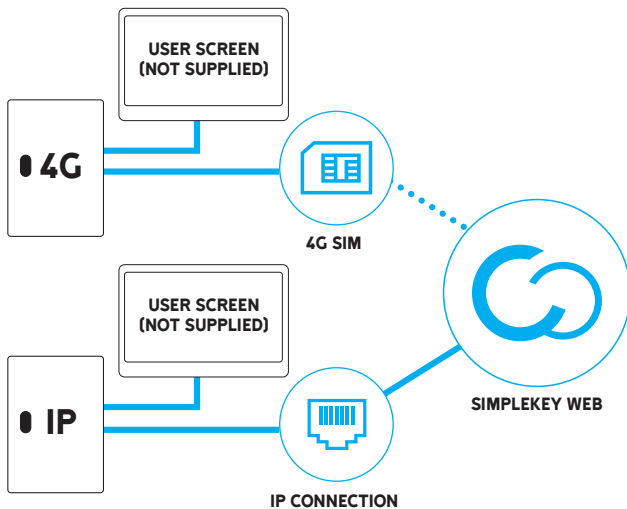
## DIGITAL NOTICE CONTROLLER



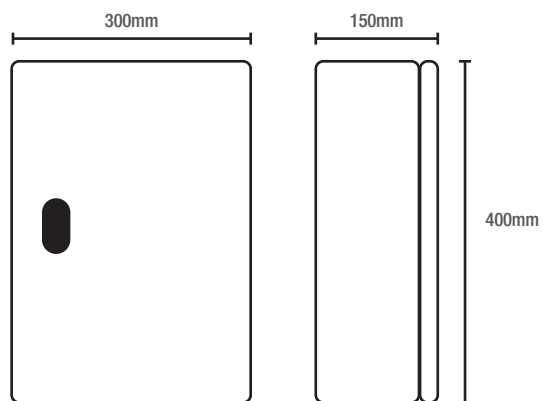
### Digital notice board controller for residential settings and apartment blocks, for connecting to your own screen

The CAME KMS Digital Notice Board Controller works in conjunction with the KMS SimpleKey Web access control, to provide residents with up to date messaging and advice. As the controller can work with any external screen (not supplied) using a HDMI or VGA connector, the display can be as large as required for maximum visibility and impact.

- Supplied as a standalone product or as part of an overall CAME KMS SimpleKey system.
- Compatible with most types of SimpleKey on site equipment whether existing or new.
- Administration is via the SimpleKey Web interface and is accessible from any internet enabled device.
- Text and Images can be uploaded to a single, group or to all notice boards.
- Supports JPEG, PNG, GIF and WEBP image types
- Optional RSS feed giving live news updates.
- Robust British designed specifically for UK housing providers.



### Dimensions (mm)



### Technical characteristics

MODELS	DNC-4G
Power input	12-14v DC
Overall power consumption	≤25W
Connectivity	4G
Outputs	4G antenna cable out to external elevation with mounted antenna
Case Material	Powered Coated Steel
Dimensions	400mm x 300mm x 150mm
Max resolution	1920 x 1080
Colour Brightness	16.7M
Response time	6.5ms
Contrast Ratio	1500:1
Brightness	250cd/m <sup>2</sup>
Aspect Ratio	16:9
HDMI	X1
Storage Temp (°C)	(-20 – 60)
Operating temperature (°C)	(0 – 40)
Storage/Working Humidity	(10 – 90%)
Fixings	4x fixing holes
Security	1x locks, on front. 2 x keys provided.
Cable Entry	Removable cable gland plate
IP rating	IP66