

DNB-4G

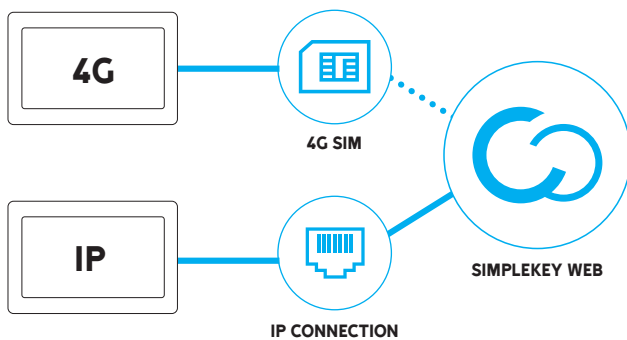
DIGITAL NOTICE BOARD



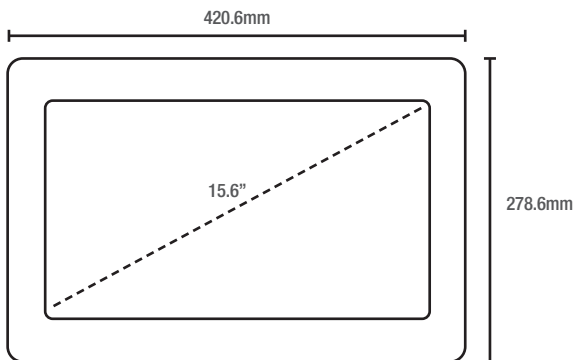
Digital notice board solution for residential settings and apartment blocks

The CAME KMS Digital Notice Board works in conjunction with the KMS SimpleKey Web access control, to provide residents with up to date messaging and advice.

- Supplied as a standalone product or as part of an overall CAME KMS SimpleKey system.
- Compatible with most types of SimpleKey on site equipment whether existing or new.
- Administration is via the SimpleKey Web interface and is accessible from any internet enabled device.
- Vandal Resistant wall mounted 15" toughened glass screen.
- Text and Images can be uploaded to a single, group or to all notice boards.
- Supports JPEG, PNG, GIF and WEBP image types
- Optional RSS feed giving live news updates.
- Robust British designed specifically for UK housing providers.



Dimensions (mm)



Technical characteristics

MODELS	DNB-4G
Power input	12-14v DC
Overall power consumption	≤25W
Connectivity	4G
Outputs	4G antenna cable out to external elevation with mounted antenna
Case Material	Powered Coated Steel
Case Colour	Matte Black
Glass	Toughened Glass
Dimensions	420.6mm x 278.6mm x 49.5mm
Screen size	15.6"
Max resolution	1920 x 1080
Display Area	344mm x 193mm
Viewing Angle	89/89/89/89
Colour Brightness	16.7M
Response time	6.5ms
Contrast Ratio	1500:1
Brightness	250cd/m ²
Aspect Ratio	16:9
HDMI	X1
Storage Temp (°C)	(-20 – 60)
Operating temperature (°C)	(0 – 40)
Storage/Working Humidity	(10 – 90%)
Display Fixings	9x fixings holes
Security	2x Barrel type locks, 1 either side
Cable Entry	Rear 40x40 cut out. 2x 20mm 'knockouts' for galvanised tube entry.
IP rating	IP30
IK Rating	IK07