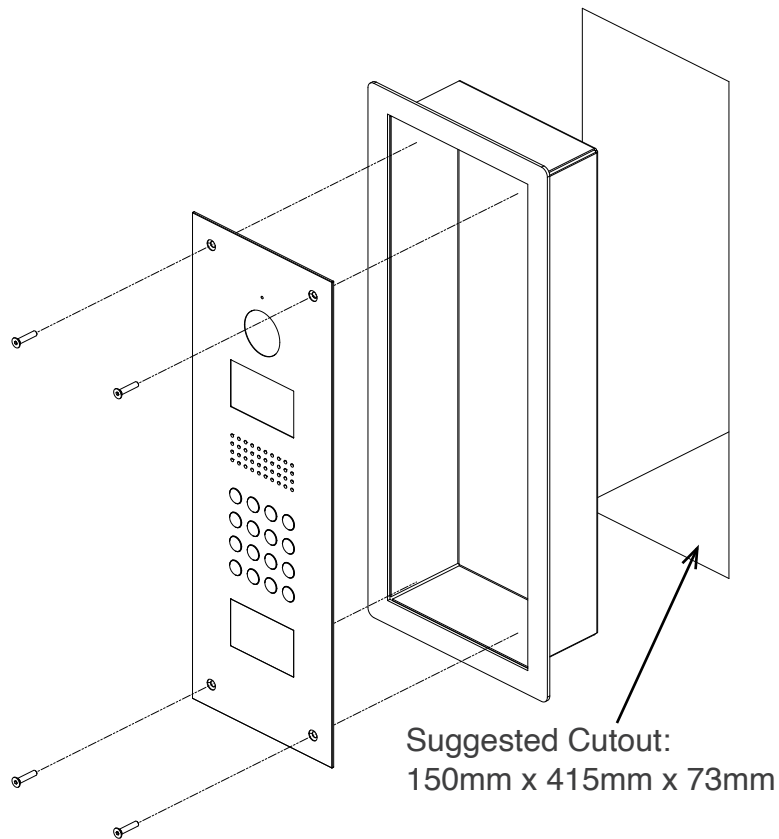


ePRO PANEL BACKBOX

PRO-BBXC-BZ - Bezelled Back Box for PRO-DPC



Suggested Cutout:
150mm x 415mm x 73mm

Technical characteristics

Style	Bezelled
Material	Galvanised Steel Enclosure with Stainless Steel 316L Frame
Dimensions	147mm x 412mm x 70mm (main enclosure), 184mm x 445mm x 2.5mm (front frame)
Weight	2.02 Kg