

# PTE/EPTE/YR

Push to Exit with Yellow Ring - 1 Gang Overlap



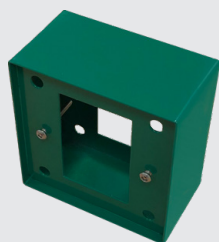
## Overview

The Push to Exit features a double-pole switch in a vandal resistant, stainless-steel design. The push button allows normal egress through communal doors and egress routes. The switch can be pressed and held for additional fail-safe operation. The illuminated bi-colour LED ring can be configured to indicate lock status (e.g. red for locked, green for unlocked).

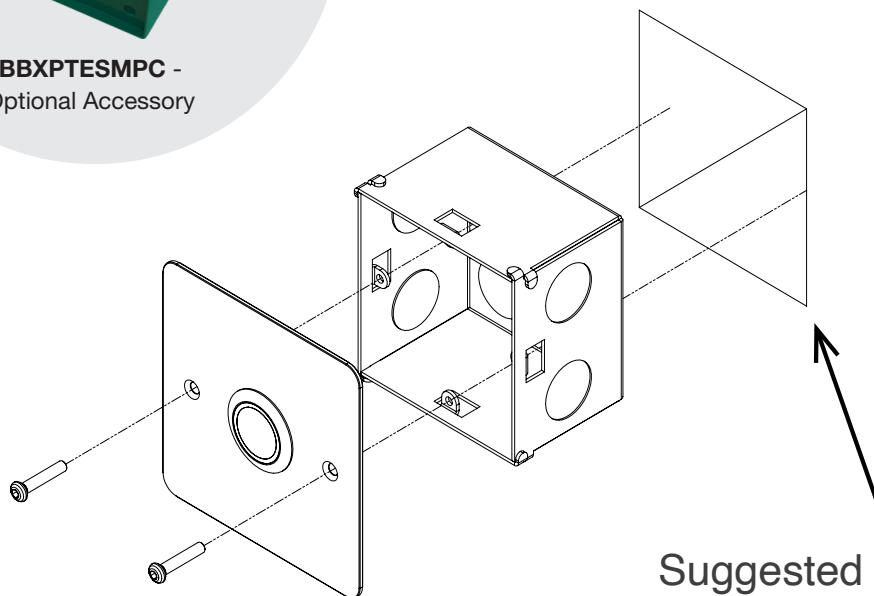
The switch provides a momentary 'Double Pole, Double Throw' action with one pole to request a timed lock release and a separate pole connected in series with fail-safe locks (if fitted) to remove power from the lock. The front plate is engraved 'PUSH TO EXIT' in 6mm green characters and 'In emergency press and hold exit button while opening door' in 5mm red characters.

The specification and installation of door release and emergency exit devices on communal doors must be in full compliance with the relevant Building Regulations and achieve final 'sign-off' by local Building Control or Approved Inspector if required. The specification is dependent on the application and security level required and should align fully with any fire evacuation policies.

## OPTIONAL ACCESSORY



**BBXPTESMPC -**  
Optional Accessory



**Suggested Cutout:**  
76 x 76 x 48mm

## Technical characteristics

Front Plate	Stainless-steel 304 (Overlap Style)
Front Plate Dimensions	86 x 86 x 1.5mm
Backbox	1 Gang Electrical box, Galvanised Steel
Backbox Dimensions	75 x 75 x 47mm
Switch Configuration	1x Momentary Double Pole, Double Throw
Switch Construction	Stainless-steel, 20mm Actuator
Switch Rating	5A, 250VAC
Connections	2 Wire-ends per Pole
Front Fixings	2x M3.5 Pin Hex Security Screws, Raised Countersunk Head, Stainless-steel