

PTE/EDR/SM

Push to Exit and Emergency Door Release (Dual Button) - Surface Mount

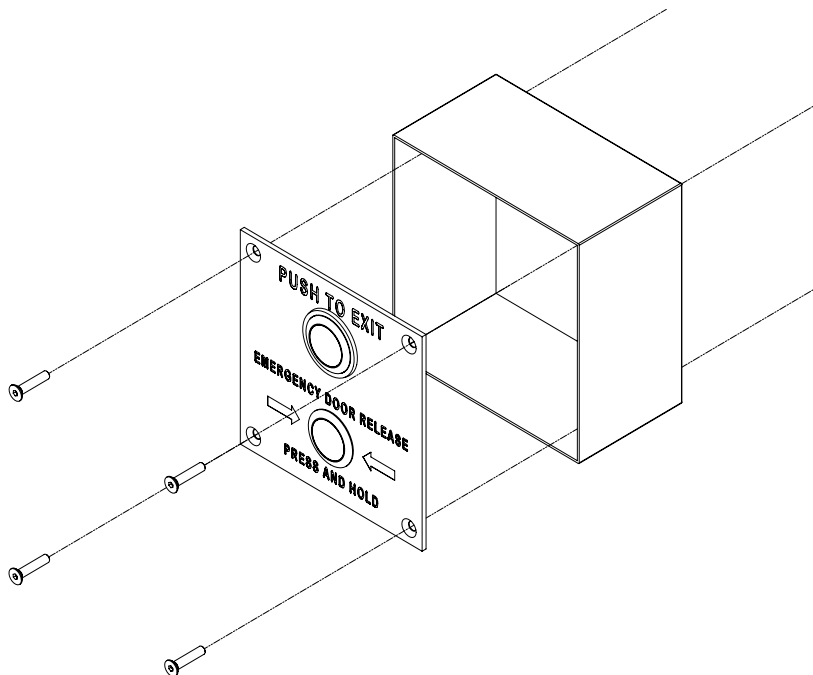
Overview



The dual button Push to Exit and Emergency Door Release features two double-pole switches in a vandal resistant, stainless-steel design. The 'Push to Exit' push button allows normal egress through communal doors and egress routes. The 'Emergency Door Release' button provides an additional fail-safe for egress from communal areas as part of the emergency egress route.

Each switch provides a momentary 'Double Pole, Double Throw' action with one pole to request a timed lock release and a separate pole connected in series with fail-safe locks (if fitted) to remove power from the lock.

The specification and installation of door release and emergency exit devices on communal doors must be in full compliance with the relevant Building Regulations and achieve final 'sign-off' by local Building Control or Approved Inspector if required. The specification is dependent on the application and security level required and should align fully with any fire evacuation policies.



Technical characteristics

Front Plate	Marine Grade Stainless-steel 316L
Front Plate Dimensions	114.5 x 14.5 x 2.5mm
Backbox	Powder Coated Zintec Steel
Backbox Dimensions	118 x 118 x 65mm
Switch Configuration	2x Momentary Double Pole, Double Throw
Switch Construction	Stainless-steel, 20mm Actuator
Switch Rating	5A, 250VAC
Connections	2 Wire-ends per Pole
Front Fixings	4x M4 Pin Hex Security Screws, Countersunk Head, Stainless-steel