

KMS/T24/OL

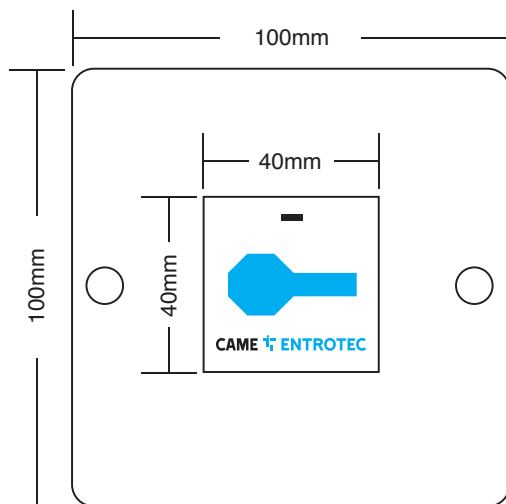
Stainless Steel Reader Mount



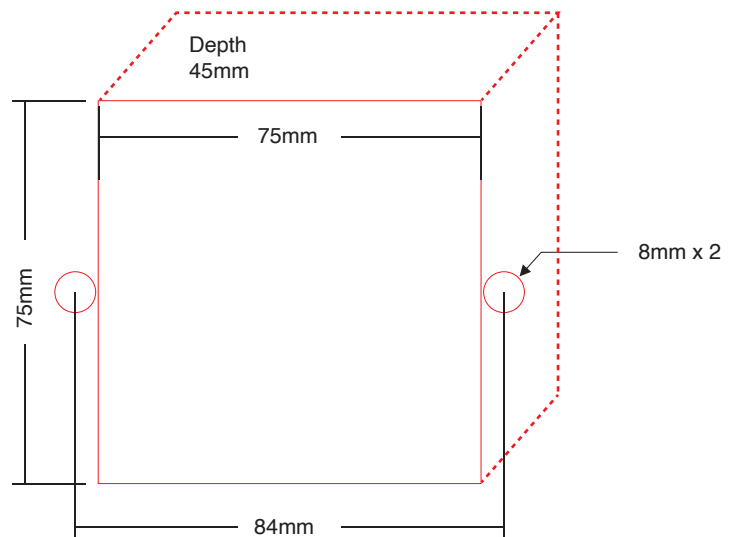
Overview

- Stainless steel 316 Marine Grade
- Reader Insert card colour options:
 - White with blue key fob symbol
 - Yellow with black key fob symbol
- Reader mount options
 - Flush mount with back box
 - Pedestal mount without back box
- M4 security screws standard

Dimensions



Cut-out Dimensions



Technical characteristics

Item	KMS/T24/OL
Faceplate dimensions:	100mm x 100mm
Box inner dimensions:	71mm x 71mm
Box outer dimensions:	73.4mm x 73.4mm
Cut-out size:	75mm x 75mm x 45mm deep
Faceplate Material:	Stainless steel, 316 grade
Backbox Material:	1.2mm galvanised
Weight with reader:	415g
Weight without reader:	348g