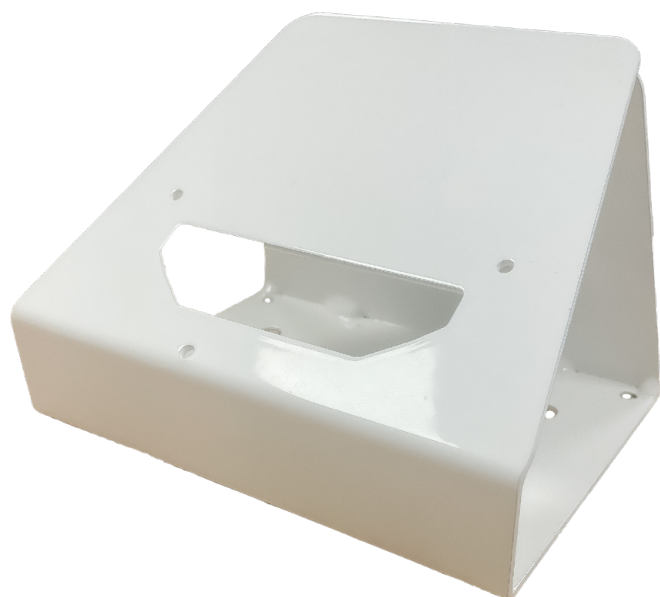


# DMK-EV

EV desk mount kit

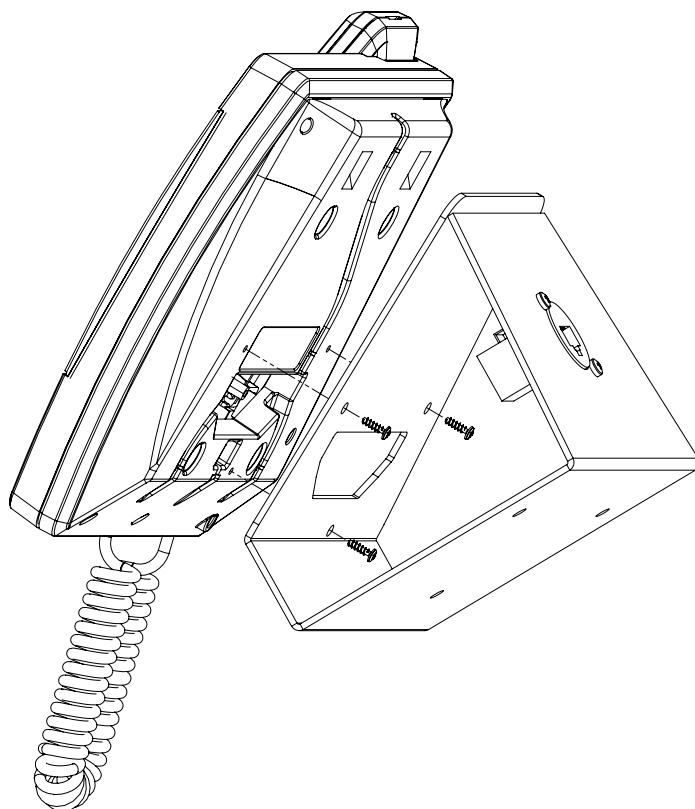


## Overview

DMK-ED is a desk mounting kit for Entrotec EV and EV+ handsets. Manufactured from a powder-coated mild steel, the desk-mount kit offers a sturdy and robust solution for mounting a door entry handset to a table-top.

The desk-mount is supplied assembled with a RJ45 port to allow for easy plug-in connections to one or more wall sockets.

The base features non-slip feet and has additional screw holes to allow an optional secure fix it to a surface.



## Technical characteristics

Material	Powder Coated Mild Steel
Colour	White
Mounting	3x Screw hole
Connections	1x RJ45 port (non network connection)
Dimensions	95 x 144 x 105 mm
Weight	0.73 KG