

# GT4 8K01RB-0703



CAME 



## 24V DELUXE BARRIER KIT

Road widths up to 5m

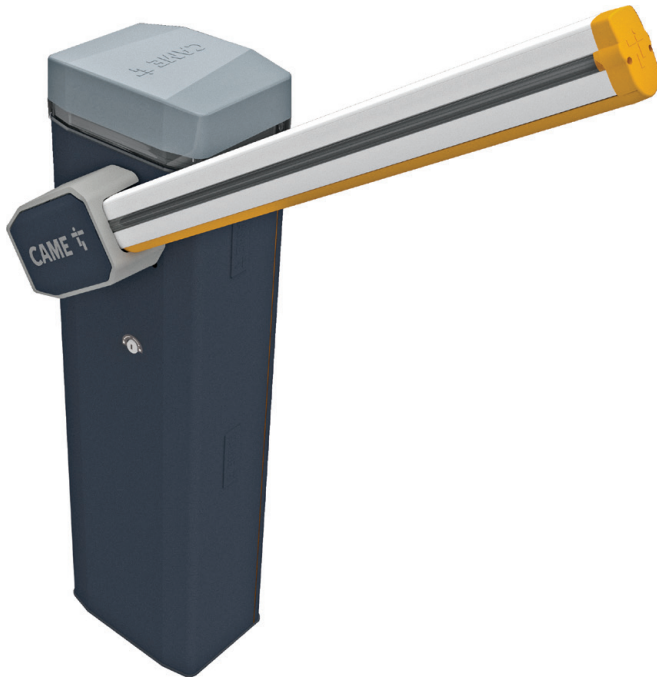


Code	Description	Quantity
803BB-0160 	GGT40AGS - Automatic barrier with 24 V DC operator with encoder; galvanized steel and painted cabinet with set up for fitting accessories. Balancing spring included.	1
803XA-0640	White painted aluminium modular boom, complete with cap, consisting of: no. 2 booms 90 x 60 L = 2600 mm, joint, internal reinforcement, hollow cover profiles and shockproof rubber profile.	1
803XA-0280	Luminous red/green LED crown.	1
803XA-0020	Red/green LED strips for booms up to 4-m long.	1
001G02807	Fixed rest.	1
001G02809	Package of 20 red, reflective, adhesive strips.	1
001DIR10 	Pair of 12 - 24 V AC - DC outdoor photocells – range 10 m.	1



# GGT40AGS

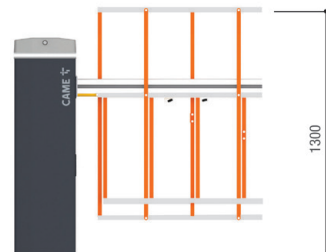
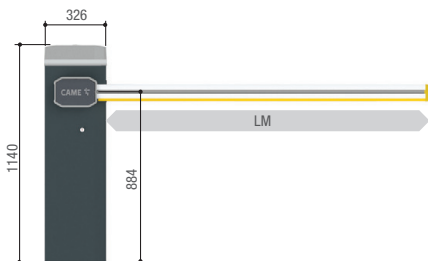
Net clearance up to 5m



## Ideal solution for heavy-duty service on driveway

- 24 V DC operator with Advanced Speed Control.
- Tested for intensive use of 300 cycles/hour with MCBF 3 million cycles.
- Galvanised steel and painted cabinet.
- Control board with display, CONNECT technology and inputs for CXN BUS accessories.
- Accessories that can be integrated directly into the cabinet.
- High visibility red/green LEDs on the crown and on both sides of the boom.
- It can be integrated with third party systems through MODBUS protocol.

## Dimensions (mm)



LM = Max. net clearance width

803XA-0350

## Operational limits

MODELS	803BB-0160
Max. net clearance width (m)	5

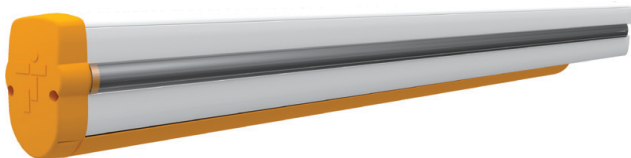
## Technical characteristics

MODELS	803BB-0160
Protection rating (IP)	54
Power supply (V - 50/60 Hz)	230 AC
Power supply to motor (V)	24 DC
Power (W)	240
Opening time at 90° (s)	2 ÷ 6
Cycles/Hour	300
Operating temperature (°C)	-20 ÷ +55 (-40 with item 001PSRT01)

# ACCESSORIES

## 803XA-0640

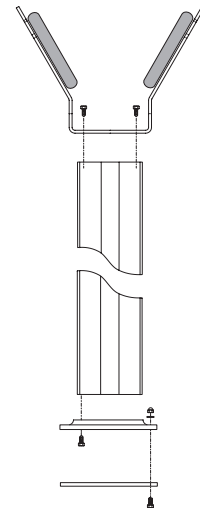
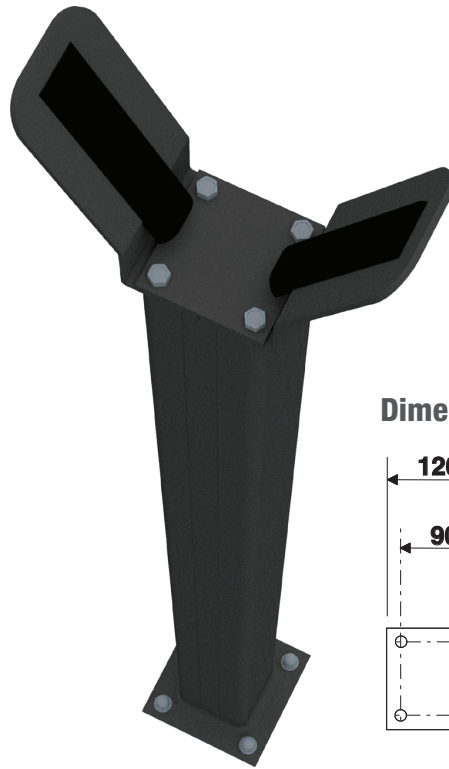
Aluminium boom



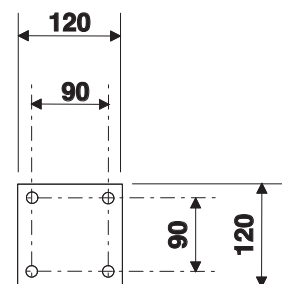
White painted aluminium modular boom, complete with cap, consisting of: no. 2 booms 90 x 60 L = 2600 mm, joint, internal reinforcement, hollow cover profiles and shockproof rubber profile.

## G02807

Fixed rest



Dimensions of base (mm)



## 803XA-0280

Luminous red/green crown



## 803XA-0020

Red/green LED strips for booms up to 4m long



# ACCESSORIES

## G02809

Package of 20 red, reflective, adhesive strips

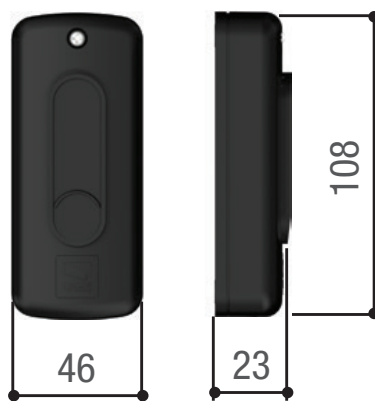


## DIR10

Photocells



Dimensions (mm)



- Control the gate's area of movement
- Infrared beam, even synchronised, to prevent any external signal disturbances.
- For the DIR series photocells, there is a double-height post, and a new PVC version of the post, for installing in entry and exit points where heavy vehicles drive through.
- High degree of protection against weathering.

### Operational limits

MODELS	DIR10
Max. range of radio (m)	10

### Technical characteristics

MODELS	DIR10
Protection rating (IP)	54
Power supply (V)	12 - 24 AC - DC
Absorption	60
Max. rating of 24 V (A) relay contacts	0,5
Operating temperature (°C)	-20 ÷ +55
Material	ABS - POLYCARBONATE