

## 230V SWING GATE KIT FOR A SINGLE GATE

Up to 400kg @ 5m or up to 1000kg @ 2m per leaf



Code	Description	Quantity
<b>801MP-0200</b>	Irreversible gearmotor for swing gates up to 3m per leaf.	1
<b>801QA-0130</b>	ZLX230S - Multi-function control panel for single and double leaf swing gates. Equipped with a graphic programming display, self-diagnosing safety devices, digital torque control DTC, 4 settable safety inputs, BUS CXN and 1000 storable users.	1
<b>001AF43S</b>	Plug-in radio-frequency control card	1
<b>806TS-0250</b>	TTS44RKS - Four-channel 433.92 MHz rolling code transmitter. 4,294,967,896 combinations.	2
<b>001TOP-A433N</b>	Tuned Antenna.	1
<b>806TF-0030</b>	Pair of 12 - 24 V AC - DC outdoor rotational photocells – range 20 m.	1



# 801MP-0200

Gate leaves of up to 5 m

## The next generation motor for swing gates, combining robust construction with maximum efficiency



- The aluminium structure, engineered with optimised couplings, minimises vibration and offers exceptional resistance to extreme environmental conditions, operating reliably from -20°C to +55°C with an IP54 protection rating.
- Every ATI unit undergoes thorough post-assembly inspection and testing before shipment to guarantee maximum reliability.
- ATI is highly versatile, with models suitable for leaves up to 3 meters and 800 kg, and up to 5 meters and 1000 kg. It can be easily adapted for installation on large posts, accommodating a C-MAX of up to 155 mm.
- With a force of 4000N, ATI delivers outstanding power and speed, achieving a 90° opening in just 13 seconds.

### Dimensions (mm)



### Application (mm)



Refer to the diagram in the manual to determine the dimensions of A and B and the best fixing position.

### Application Dimension (mm)

	801MP-200
E	<b>C Max.</b>
920	155

### Technical characteristics

MODELS	801MP-0200
Protection rating (IP)	54
Motor power supply (V)	230 AC 50/60 Hz
Power (W)	220
Maneuvering time 90° (s)	19
Cycles/hour	23
Thrust (N)	400 to 4000
Operating temperature (°C)	-20 to +55
Colour	RAL 7024

# ZLX230S

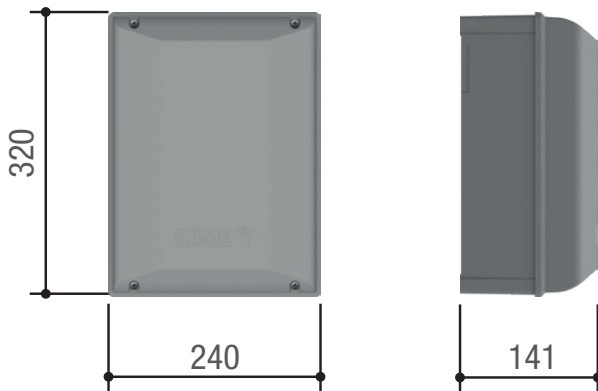
Control panel



## Control panel for 230V gearmotors

- Multi-function control panel in special 230 V version for single and double leaf swing gates. Equipped with a graphic programming display to ensure the installer can read the complete menu items and follow the wizard. It also has self-diagnosing safety devices, digital torque control DTC, 4 settable safety inputs, BUS CXN and 1000 storable users.
- Equipped with a timer function for configuring up to 8 different time slots and up to 16 special days.

## Dimensions (mm)



## Technical characteristics

MODEL	801QA-0130
Protection rating (IP)	54
Power supply (V - 50/60Hz)	230 AC
Motor power supply (V)	230 AC
Power (W)	1100
Operating temperature (°C)	-20 to +55
RAL color	7024
Cabinet material	ABS

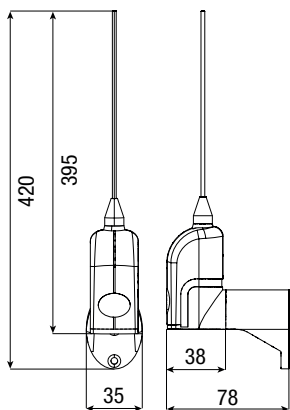
# ACCESSORIES

## TOPA433N

Tuned Antenna for 433.92Mhz



### Dimensions (mm)



### Operational limits

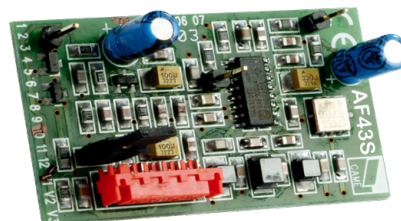
MODELS	TA433N
Max. range of radio (m)	50 ÷ 150

### Technical characteristics

MODELS	TA433N
Radio signal frequency (Mhz)	433.92Mhz

## AF43S

Radio frequency control card 433.92MHz



- Dip-switches for code and function selection
- Function enabling button
- Red signalling LED
- Green signalling LED
- Backup board
- Plug-in connector on receivers

### Technical characteristics

MODELS	AF43S
Power supply (V±10%)	5
Current draw (mA)	5.5
Encoding type	ASK
Operating temperature (°C)	-20 to +55
Sensitivity (dBm)	-107

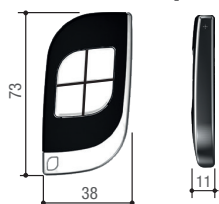
## TTS44FKS

Fixed code 433.92 radio control



- Self-learning from transmitter to transmitter.
- Self-learning from TOP, TAM and TWIN series radio controls.
- Removable battery compartment for easy replacement.
- It can be configured remotely via gateway or locally via CAME KEY.

### Dimensions (mm)



### Operational limits

MODELS	806TS-0240
Max. range of radio (m)	50 ÷ 150

### Technical characteristics

MODELS	806TS-0240
Combinations	16.777.216
Radio signal frequency (Mhz)	433,92
Operating temperature (°C)	-20 ÷ +55
Material	POLYCARBONATE - ZAMAK

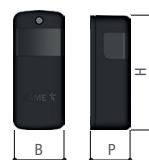
## DXR

Rotational Photocells



- Control the gate's area of movement
- Infrared beam swivels up to 180° on its vertical axis.
- It can synchronize up to eight pairs of photocells, with no disturbances, plus no wiring required between the transmitter and the receiver.
- Infrared beam range adjustment.
- Filter function to prevent false detections due to bad weather or direct sunlight.

### Dimensions (mm)



### Operational limits

MODELS	806TF-0030
Max. range of radio (m)	20

### Technical characteristics

MODELS	806TF-0030
Protection rating (IP)	54
Power supply (V)	12 - 24 AC - DC
Absorption	40
Max. rating of 24 V (A) relay contacts	0,5
Operating temperature (°C)	-20 ÷ +55
Material	ABS