

## 230V SWING GATE KIT FOR A SINGLE GATE

Up to 400kg @ 3m or up to 800kg @ 2m per leaf



Code	Description	Quantity
801MP-0190	Irreversible gearmotor for swing gates up to 3m per leaf.	1
801QA-0130	ZLX230S - Multi-function control panel for single and double leaf swing gates. Equipped with a graphic programming display, self-diagnosing safety devices, digital torque control DTC, 4 settable safety inputs, BUS CXN and 1000 storable users.	1
001AF43S	Plug-in radio-frequency control card	1
806TS-0270	TOP44FGN - Four-channel 433.92 MHz fixed code transmitter.	2
001TOP-A433N	Tuned Antenna.	1
806TF-0030	Pair of 12 - 24 V AC - DC outdoor rotational photocells – range 20 m.	1



# 801MP-0190

Gate leaves of up to 3 m



## The next generation motor for swing gates, combining robust construction with maximum efficiency

- The aluminium structure, engineered with optimised couplings, minimises vibration and offers exceptional resistance to extreme environmental conditions, operating reliably from -20°C to +55°C with an IP54 protection rating.
- Every ATI unit undergoes thorough post-assembly inspection and testing before shipment to guarantee maximum reliability.
- ATI is highly versatile, with models suitable for leaves up to 3 meters and 800 kg, and up to 5 meters and 1000 kg. It can be easily adapted for installation on large posts, accommodating a C-MAX of up to 155 mm.
- With a force of 4000N, ATI delivers outstanding power and speed, achieving a 90° opening in just 13 seconds.

### Dimensions (mm)



### Application (mm)



### Application Dimension (mm)

	801MP-0190
E	C Max.
720	75

Refer to the diagram in the manual to determine the dimensions of A and B and the best fixing position.

### Technical characteristics

MODELS	801MP-0190
Protection rating (IP)	54
Motor power supply (V)	230 AC 50/60 Hz
Power (W)	220
Maneuvering time 90° (s)	13
Cycles/hour	32
Thrust (N)	400 to 4000
Operating temperature (°C)	-20 to +55
Colour	RAL 7024

# ZLX230S

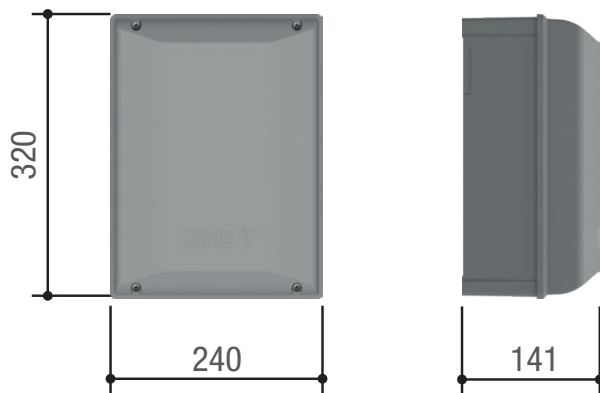
Control panel



## Control panel for 230V gearmotors

- Multi-function control panel in special 230 V version for single and double leaf swing gates. Equipped with a graphic programming display to ensure the installer can read the complete menu items and follow the wizard. It also has self-diagnosing safety devices, digital torque control DTC, 4 settable safety inputs, BUS CXN and 1000 storable users.
- Equipped with a timer function for configuring up to 8 different time slots and up to 16 special days.

## Dimensions (mm)



## Technical characteristics

MODEL	801QA-0130
Protection rating (IP)	54
Power supply (V - 50/60Hz)	230 AC
Motor power supply (V)	230 AC
Power (W)	1100
Operating temperature (°C)	-20 to +55
RAL color	7024
Cabinet material	ABS

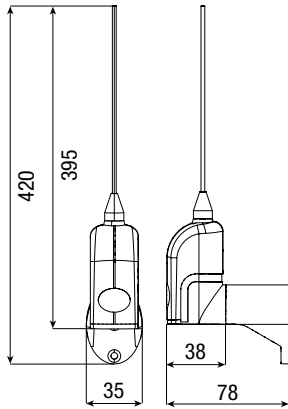
# ACCESSORIES

## TOPA433N

Tuned Antenna for 433.92Mhz



### Dimensions (mm)



### Operational limits

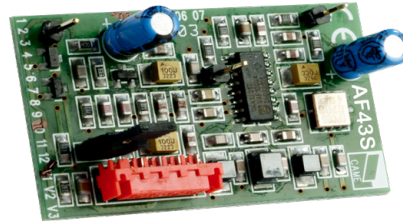
MODELS	TA433N
Max. range of radio (m)	50 ÷ 150

### Technical characteristics

MODELS	TA433N
Radio signal frequency (Mhz)	433.92Mhz

## AF43S

Radio frequency control card 433.92MHz



- Dip-switches for code and function selection
- Function enabling button
- Red signalling LED
- Green signalling LED
- Backup board
- Plug-in connector on receivers

### Technical characteristics

MODELS	AF43S
Power supply (V±10%)	5
Current draw (mA)	5.5
Encoding type	ASK
Operating temperature (°C)	-20 to +55
Sensitivity (dBm)	-107

## TOP44RBN

Rolling code 433.92 radio control



- Self-learning from transmitter to transmitter.
- Self-learning from TOP, TAM and TWIN series radio controls.
- More secure thanks to the dynamic code for the rolling code version.
- It can be configured remotely via gateway or locally via GAME KEY.

### Dimensions (mm)



### Operational limits

MODELS	806TS-0270
Max. range of radio (m)	50 ÷ 150

### Technical characteristics

MODELS	806TS-0270
Combinations	4.294.967.896
Radio signal frequency (Mhz)	433,92
Operating temperature (°C)	-20 ÷ +55
Material	POLYCARBONATE

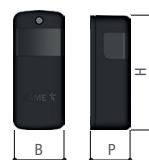
## DXR BUS

Rotational Photocells



- Control the gate's area of movement
- Infrared beam swivels up to 180° on its vertical axis.
- It can synchronize up to eight pairs of photocells, with no disturbances, plus no wiring required between the transmitter and the receiver.
- Infrared beam range adjustment.
- Filter function to prevent false detections due to bad weather or direct sunlight.

### Dimensions (mm)



### Operational limits

MODELS	806TF-0110
Max. range of radio (m)	20

### Technical characteristics

MODELS	806TF-0110
Protection rating (IP)	54
Power supply (V)	CXN BUS
Absorption	-
Max. rating of 24 V (A) relay contacts	-
Operating temperature (°C)	-20 ÷ +55
Material	ABS