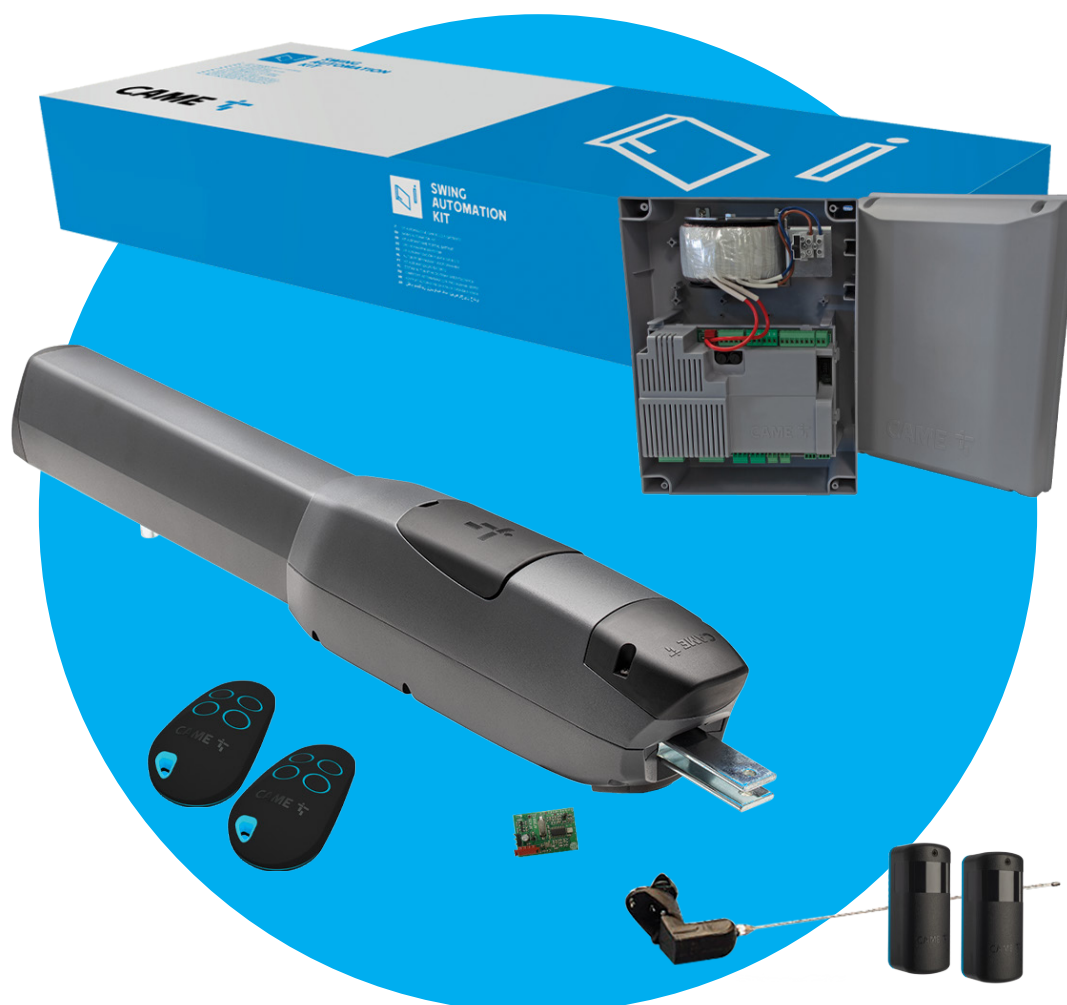


24V SWING GATE KIT FOR A PAIR OF GATES

Up to 400kg @ 3m or up to 800kg @ 2m per leaf



| Code | Description | Quantity |
|----------------------|---|----------|
| 801MP-0210 | Irreversible gearmotor for swing gates up to 3m per leaf. | 2 |
| 801QA-0060 | Control panel for single- and double-leaf swing gates without encoders, with 7-segment programming display, self-diagnosing safety devices and Digital Torque Control, 2 settable safety inputs and up to 250 storable users. | 1 |
| 001 AF43S | Plug-in radio-frequency control card | 1 |
| 806TS-0270 | TOP44FGN - Four-channel 433.92 MHz fixed code transmitter. | 2 |
| 001 TOP-A433N | Tuned Antenna. | 1 |
| 806TF-0030 | Pair of 12 - 24 V AC - DC outdoor rotational photocells – range 20 m. | 1 |



801MP-0210

Gate leaves of up to 3 m



The next generation motor for swing gates, combining robust construction with maximum efficiency

- The aluminium structure, engineered with optimised couplings, minimises vibration and offers exceptional resistance to extreme environmental conditions, operating reliably from -20°C to +55°C with an IP54 protection rating.
- Every ATI unit undergoes thorough post-assembly inspection and testing before shipment to guarantee maximum reliability.
- ATI is highly versatile, with models suitable for leaves up to 3 meters and 800 kg, and up to 5 meters and 1000 kg. It can be easily adapted for installation on large posts, accommodating a C-MAX of up to 155 mm.
- With a force of 4000N, ATI delivers outstanding power and speed, achieving a 90° opening in just 13 seconds.

Dimensions (mm)



Application (mm)



Application Dimension (mm)

| | 801MP-0210 |
|-----|------------|
| E | C Max. |
| 720 | 75 |

Refer to the diagram in the manual to determine the dimensions of A and B and the best fixing position.

Technical characteristics

| MODELS | 801MP-0210 |
|----------------------------|--------------------|
| Protection rating (IP) | 54 |
| Motor power supply (V) | 24 DC |
| Power (W) | 120 |
| Maneuvering time 90° (s) | 13 |
| Cycles/hour | CONTINUOUS SERVICE |
| Thrust (N) | 400 to 4000 |
| Operating temperature (°C) | -20 to +55 |
| Colour | RAL 7024 |

ZLX24S

Control panel

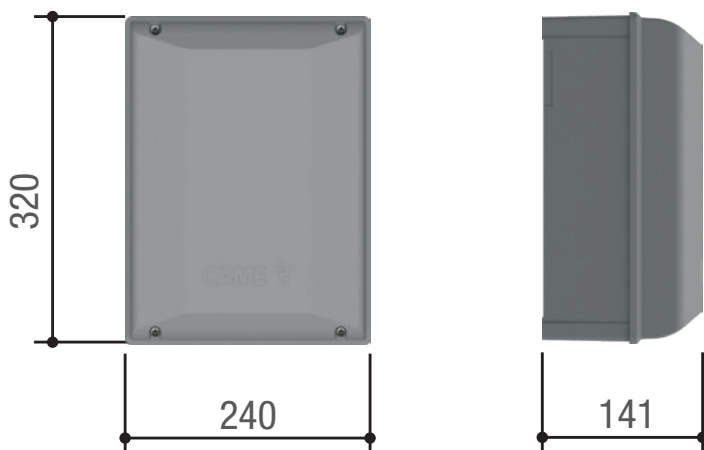
+
24
-



Control panel for 24V gearmotors

- Multifunction control panel for swing gates with two leaves. Graphic programming display and signalling and self-diagnostics using safety devices.

Dimensions (mm)



FUNCTIONS

| MODEL | 801QA-0060 |
|--------------------------------------|------------|
| Settable safety inputs | 4 |
| CNX BUS inputs | YES |
| Output B1 - B2 | YES |
| RIO System 2.0 | YES |
| CAME KEY and Gateway slot | YES |
| Adaptive Speed and Torque Technology | YES |
| Virtual Encoder management | YES |
| Users number | 1000 |
| Clock module | YES |
| PCB plastic cover | YES |

TECHNICAL FEATURES

| MODEL | 801QA-0060 |
|-----------------------------|------------|
| Protection rating (IP) | 54 |
| Power supply (V - 50/60 Hz) | 230 AC |
| Operating temperature (°C) | -20 ÷ +55 |
| RAL color | 7024 |
| Cabinet material | ABS |

● 24 V DC

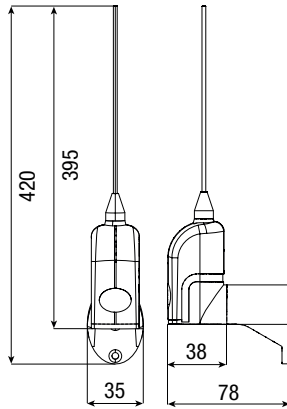
ACCESSORIES

TOPA433N

Tuned Antenna for 433.92Mhz



Dimensions (mm)



Operational limits

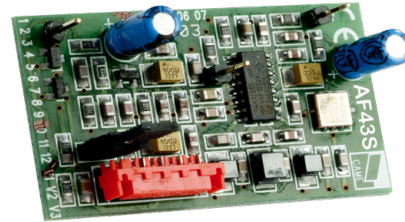
| MODELS | TA433N |
|-------------------------|----------|
| Max. range of radio (m) | 50 ÷ 150 |

Technical characteristics

| MODELS | TA433N |
|------------------------------|-----------|
| Radio signal frequency (Mhz) | 433.92Mhz |

AF43S

Radio frequency control card 433.92MHz



- Dip-switches for code and function selection
- Function enabling button
- Red signalling LED
- Green signalling LED
- Backup board
- Plug-in connector on receivers

Technical characteristics

| MODELS | AF43S |
|----------------------------|------------|
| Power supply (V±10%) | 5 |
| Current draw (mA) | 5.5 |
| Encoding type | ASK |
| Operating temperature (°C) | -20 to +55 |
| Sensitivity (dBm) | -107 |

TOP44RBN

Rolling code 433.92 radio control



- Self-learning from transmitter to transmitter.
- Self-learning from TOP, TAM and TWIN series radio controls.
- More secure thanks to the dynamic code for the rolling code version.
- It can be configured remotely via gateway or locally via GAME KEY.

Dimensions (mm)



Operational limits

| MODELS | 806TS-0270 |
|-------------------------|------------|
| Max. range of radio (m) | 50 ÷ 150 |

Technical characteristics

| MODELS | 806TS-0270 |
|------------------------------|---------------|
| Combinations | 4.294.967.896 |
| Radio signal frequency (Mhz) | 433,92 |
| Operating temperature (°C) | -20 ÷ +55 |
| Material | POLYCARBONATE |

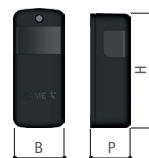
DXR BUS

Rotational Photocells



- Control the gate's area of movement
- Infrared beam swivels up to 180° on its vertical axis.
- It can synchronize up to eight pairs of photocells, with no disturbances, plus no wiring required between the transmitter and the receiver.
- Infrared beam range adjustment.
- Filter function to prevent false detections due to bad weather or direct sunlight.

Dimensions (mm)



Operational limits

| MODELS | 806TF-0110 |
|-------------------------|------------|
| Max. range of radio (m) | 20 |

Technical characteristics

| MODELS | 806TF-0110 |
|--|------------|
| Protection rating (IP) | 54 |
| Power supply (V) | CXN BUS |
| Absorption | - |
| Max. rating of 24 V (A) relay contacts | - |
| Operating temperature (°C) | -20 ÷ +55 |
| Material | ABS |